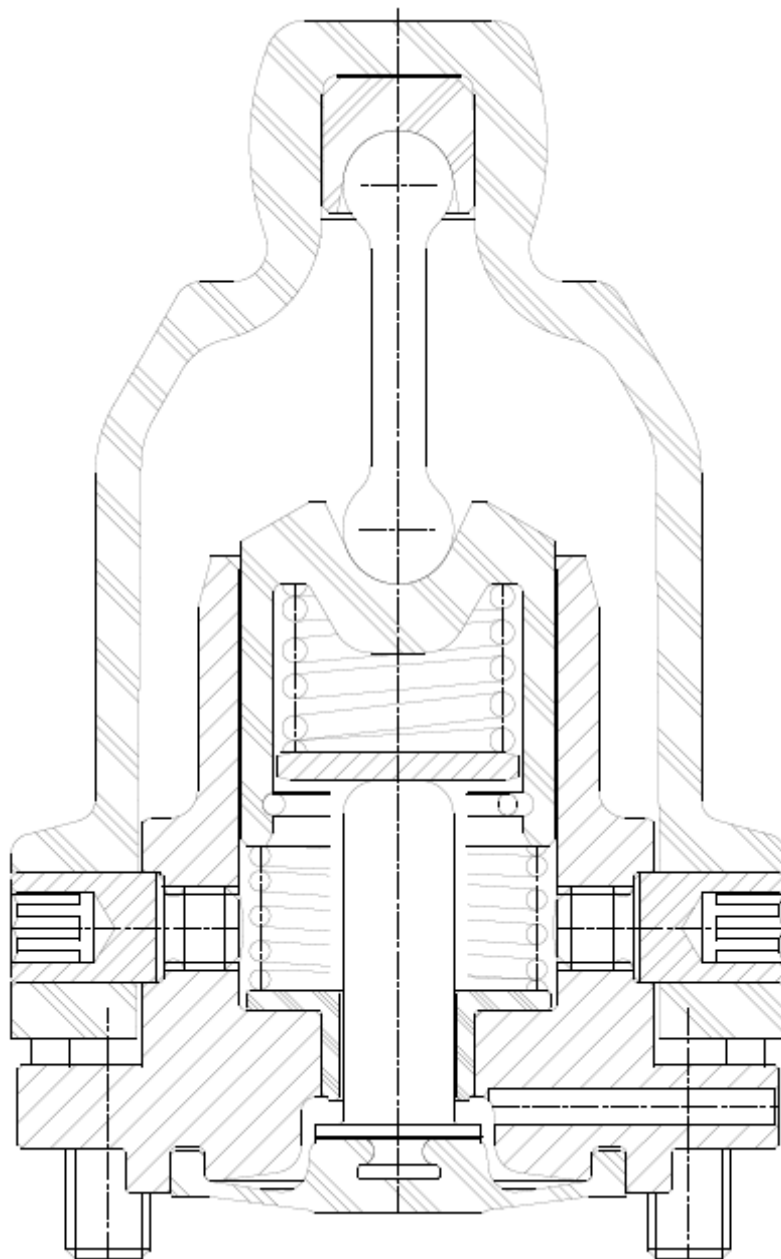


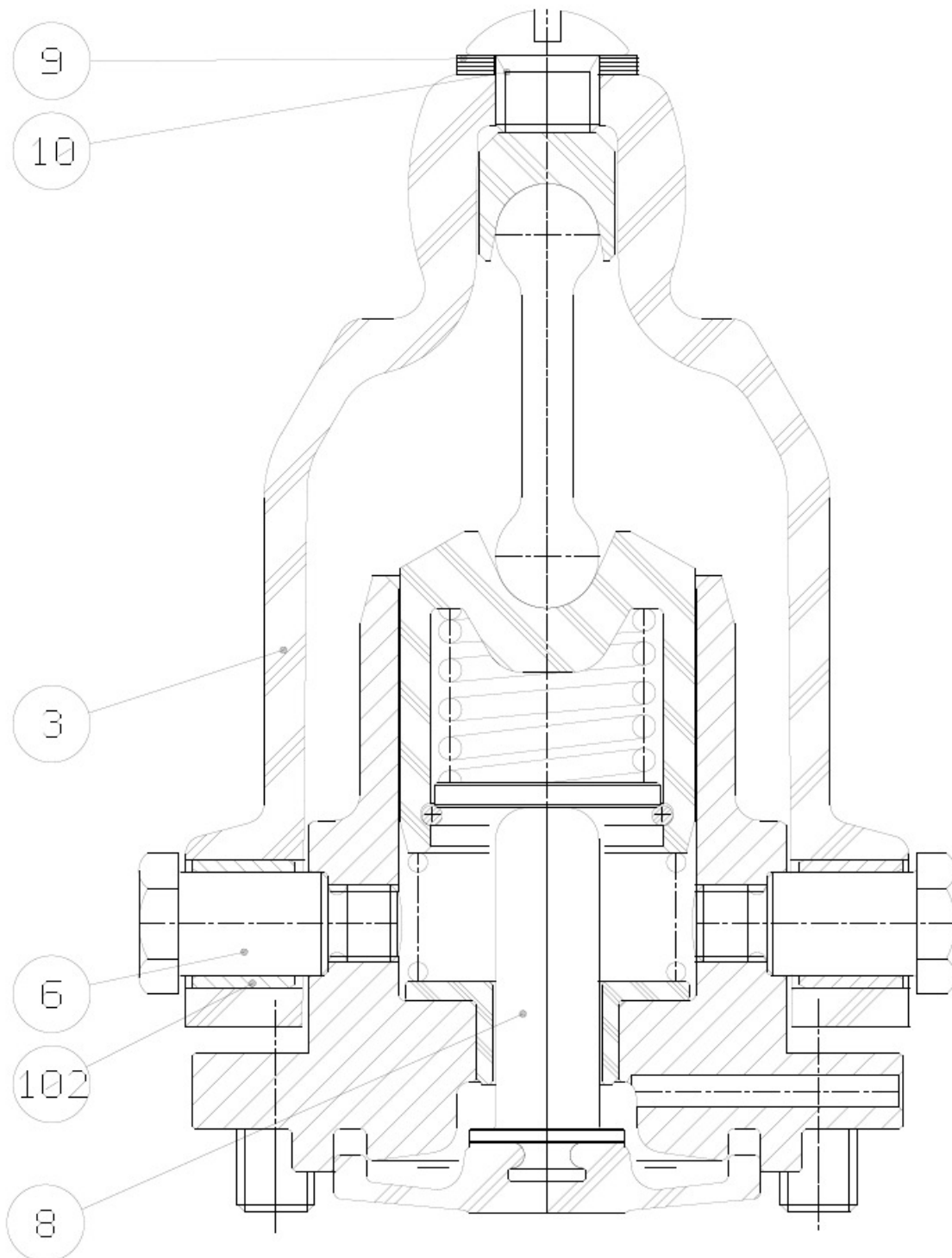
# **ACTUATOR UPGRADE - NOZZLE OPENING FOR GRIPSTAR ACE**

***(Stainless steel support)***

Actuator previous version (Cod. Gea Procomac 4-56471/001 , 4-56471/201)



New actuator (Cod. Gea Procomac 4-56471/601)



### ***Advantages new actuator***

The upgrade of the new actuator considerably reduces the frequency of maintenance and the replacement of wear and tear parts, facilitating the adjustment of the actuator in case of need.

In particular in the new actuator the following have been improved and / or implemented :

- **External compensation screws and washers (Pos.9-10) for a more simple and easy adjustment.**
- **Centering cup (Pos.3) with space for compensation screws and sleeves (Pos.6-102) which minimize the wear and tear.**
- **Diaphragm (Pos.8) in EPDM with mechanical resistance much better than the silicon type**

### ***SUPPLY CONDITIONS***

For relevant conditions, we kindly ask you to contact our Upgrades Department, who will be pleased to formulate the best technical / commercial proposal for the replacement of the actuators installed on GEA Procomac machines in your possession.

GEA Procomac S.p.A.  
Via Fedolfi 29  
43038 Sala Baganza (PR) Italy  
Tel + 39 0521 839411  
Fax +39 0521 839572  
[ESP.procomac.it@geagroup.com](mailto:ESP.procomac.it@geagroup.com)  
[www.procomac.it](http://www.procomac.it)