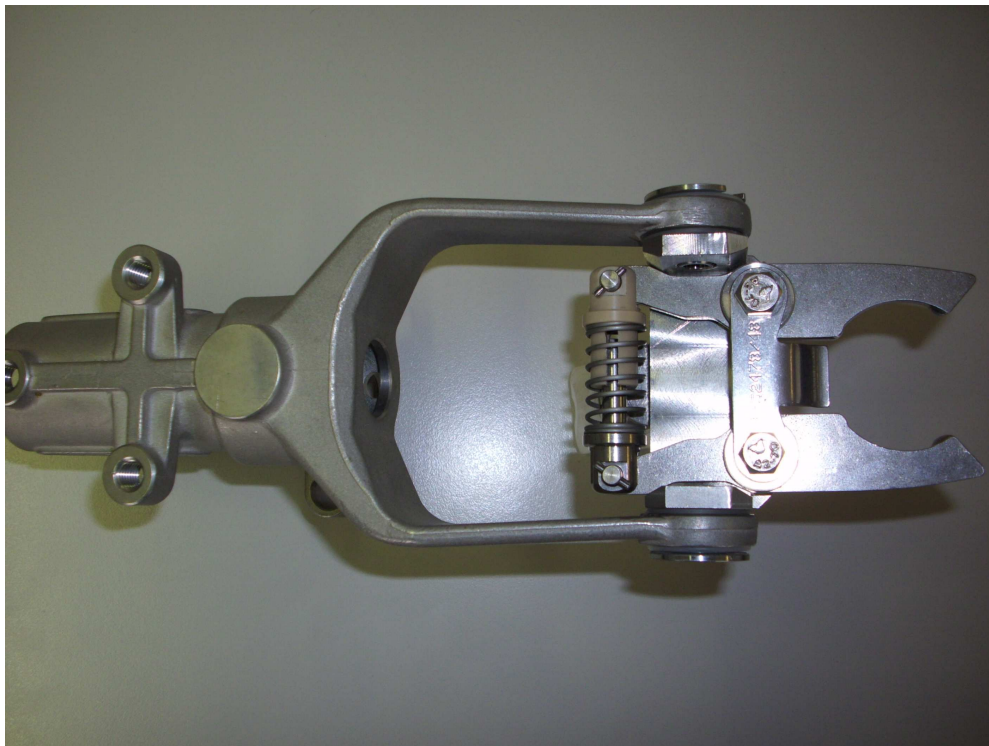


UPGRADE OVERTURNED GRIPPER FOR GRIPSTAR'S CAROUSEL

GEA Procomac communicates the possibility of modifying the current Overturned Grippers installed on the carousel (s) of the Gripstar (Sterilizer and /or Rinser) present on the aseptic line in your possession.

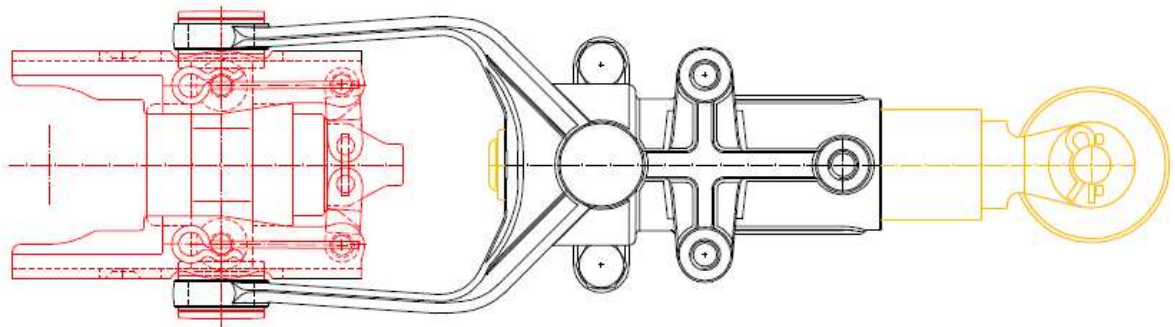
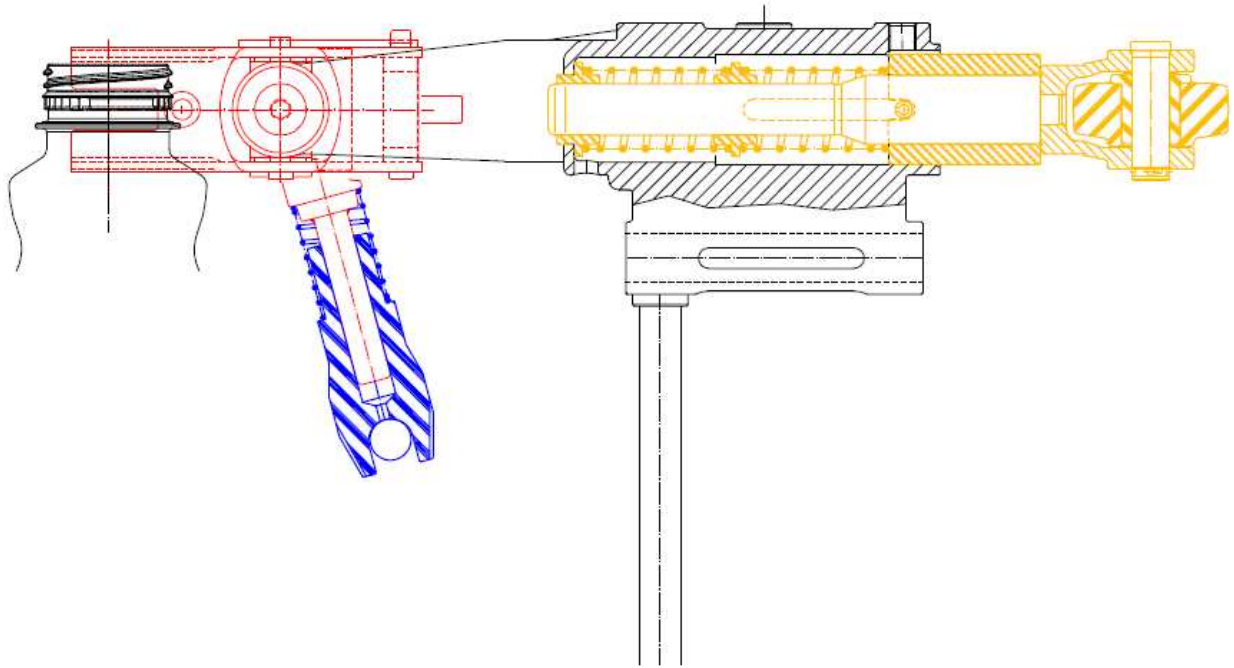


The new Overturned Gripper has a much simpler design in respect to the current one and has been designed and realized by GEA Procomac to facilitate the maintenance, **thus considerably reducing the overhaul costs of the wear and tear components which compose it.**

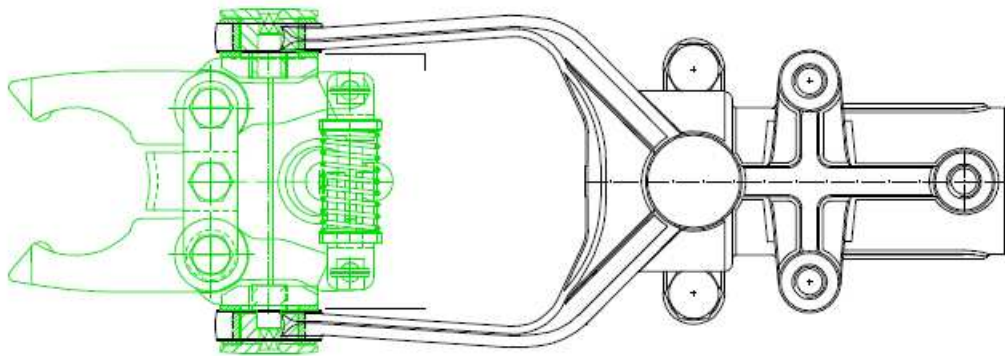
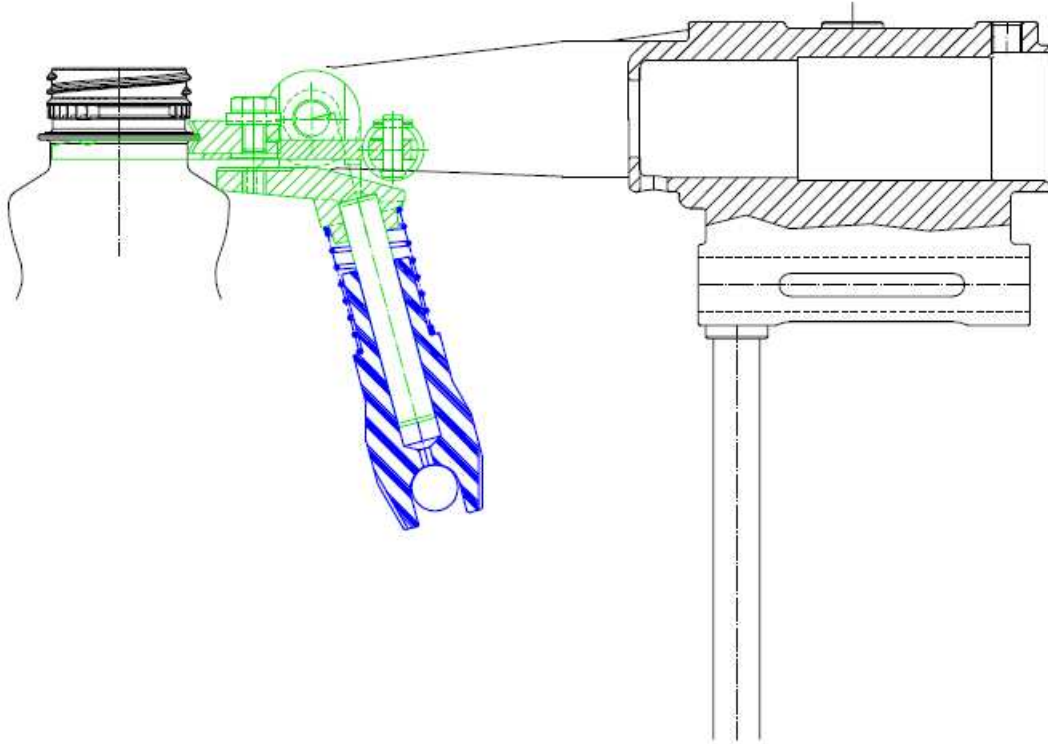
The gripper's upgrade mainly consists in the replacement of the current bottle gripper by means of rubber pads, replaced by an under neck ring handling gripper. The rollers and two cursors which act on the gripper opening, will be eliminated and replaced with a neck handling gripper equipped with spring arms which pick up the bottle with simple joint movements.

The proposed upgrade can be applied to the Overturned Grippers with under neck ring handling, or rather on the Gripstar's carousel which have been coupled to the input / exit star-wheels equipped by above neck ring grippers.

Current overturned gripper



New overturned gripper



Maintenance costs of the new overturned gripper

As afore mentioned, the new overturned grippers have a less number of wear and tear parts in respect to the current ones installed, thus implying a significant saving relevant to the maintenance costs. For a better estimation of the savings, we hereby indicate the approximate overhaul costs of the current and new grippers:

Current overturned gripper:

Technical List : 4-42268/108 (Pos. 3-101-102-103-104-105-106-107-108-110)

Technical List : 4-53610/201 (Pos. 101-102-103-104)

Technical List : 4-53608/001 (Pos. 1-101)

Overhaul amount for single gripper: **462,70 Euro ***

Estimated time for single gripper overhaul: **30 min.**

New overturned gripper:

Technical List : 4-65493/101 (Pos. 1-2-4-6-7-9-103-104-105)

Technical List : 4-53608/001 (Pos. 1-101)

Overhaul amount for single gripper: **216,10 Euro ***

Estimated time for single gripper overhaul: **15 min.**

Basically a saving of approximate 246,00 Euro for each gripper which will be overhauled after the application of this upgrade.

** Amount has been calculated using our Price List 4 – Year 2011 on Original GEA Procomac Spare Parts.*



Commercial Conditions

For all commercial conditions, we kindly ask you to contact our Upgrades Dept who will be pleased to formulate the best technical/commercial proposal relevant to this upgrade of the new overturned grippers.

GEA Procomac S.p.A.
Via Fedolfi 29
43038 Sala Baganza (PR) Italy
Tel + 39 0521 839411
Fax +39 0521 839572
ESP.procomac.it@geagroup.com
www.procomac.it