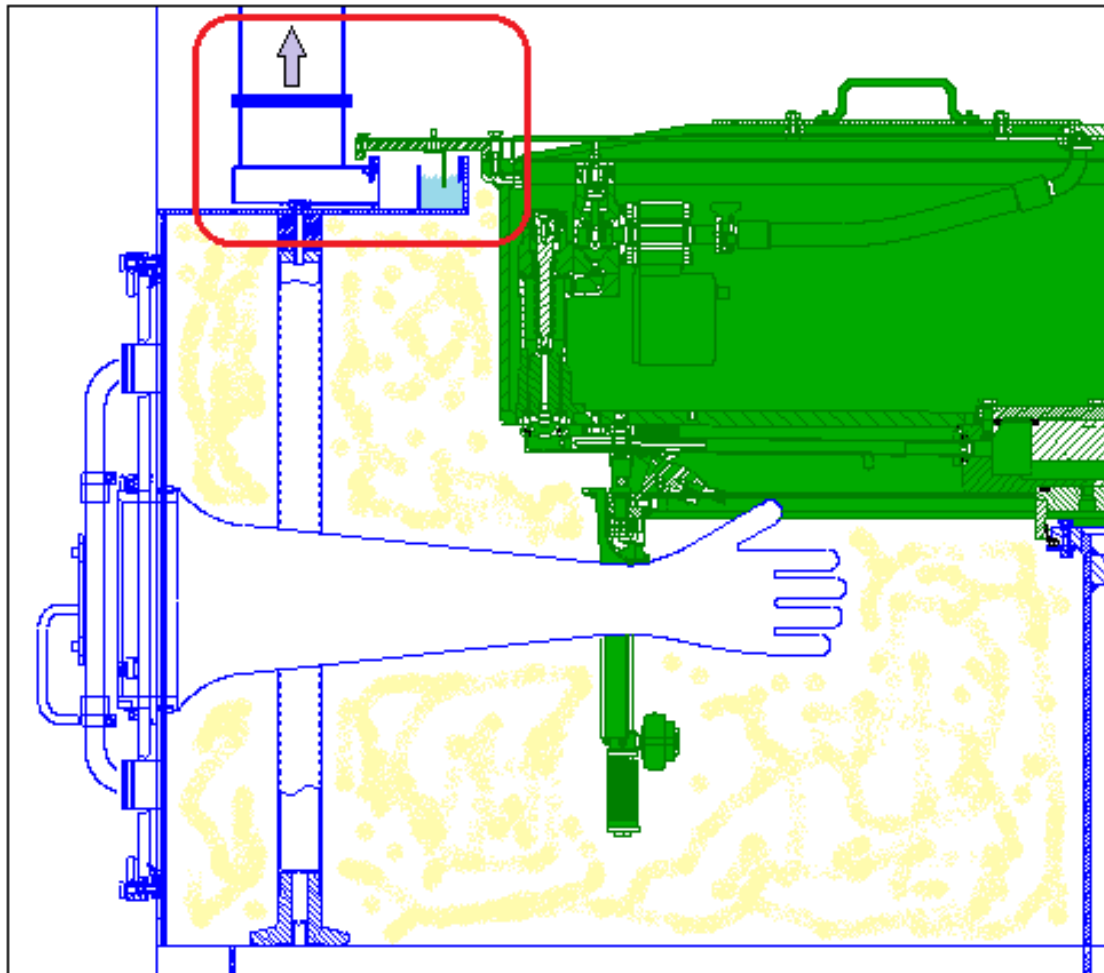


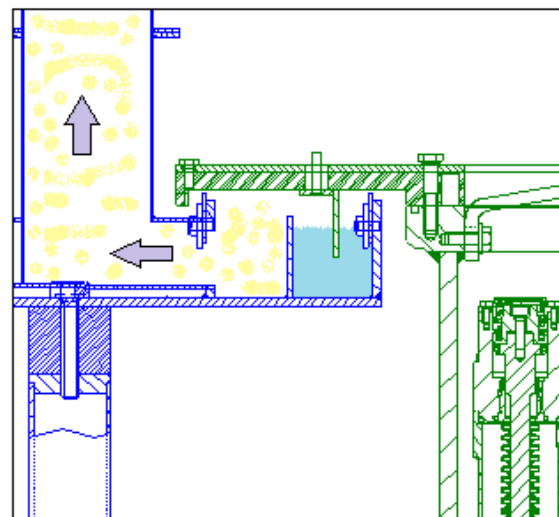
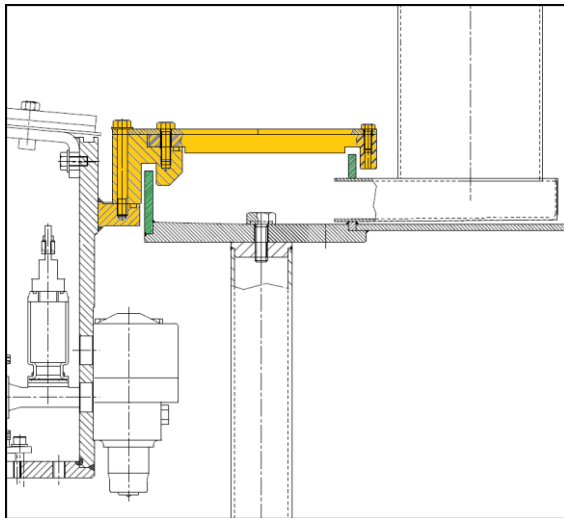
UPGRADE FOR HYDRAULIC SEAL ON FILLER (SUCTION type)



Dear Customer,

Gea Procomac Spa informs on the opportunity of modifying the seal which isolates the filler's sterile area from the external environment. The up-grade consists in the replacement of the labyrinth type seal currently installed, with a **perceptive hydraulic barrier** which prevents the escaping of perceptive steam from the filler during the environment sterilization and guarantees an improved isolation of the sterile area of the filler during production.

TRANSFORMATION LABYRINTH TYPE SEAL INTO HYDRAULIC SEAL



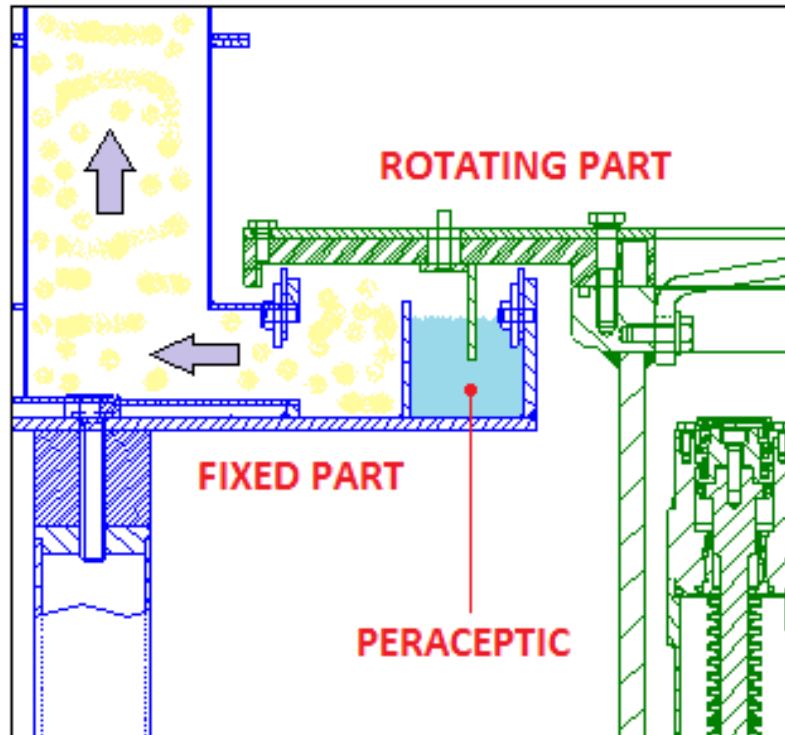
The hydraulic seal, which GEA Procomac installed on the lines of the latest generation, can be applied on the Filler in your possession by means of installing an appropriate channel on the machine's carousel (in the fixed part) and a carter on the rotating part.

This channel is fed with water and perceptive solution coming from the Unidox by means of a special hydraulic circuit. The automatic handling of the feeding circuit ensures a constant level of liquid in the hydraulic seal, besides a constant graze which allows a continuous change of the solution in the channel (in order to avoid an excessive reduction of the perceptive concentration).

In the end the suction circuit, already present on the machine, avoids the dispersion in the environment of any eventual perceptive fumes coming from the channel of the hydraulic seal conveying towards the Scrubber.

Functioning pattern of the new hydraulic seal

SUCTION ZONE



Supply conditions

For the supply conditions, we kindly ask you to contact our Up-grades Dept who will be pleased to formulate the best technical / commercial proposal for the up-grade of the Filler's seal installed in the GEA Procomac's aseptic line in your possession.

GEA Procomac S.p.A.
Via Fedolfi 29
43038 Sala Baganza (PR) Italy
Tel + 39 0521 839411
Fax +39 0521 839572
ESP.procomac.it@geagroup.com
www.procomac.it