

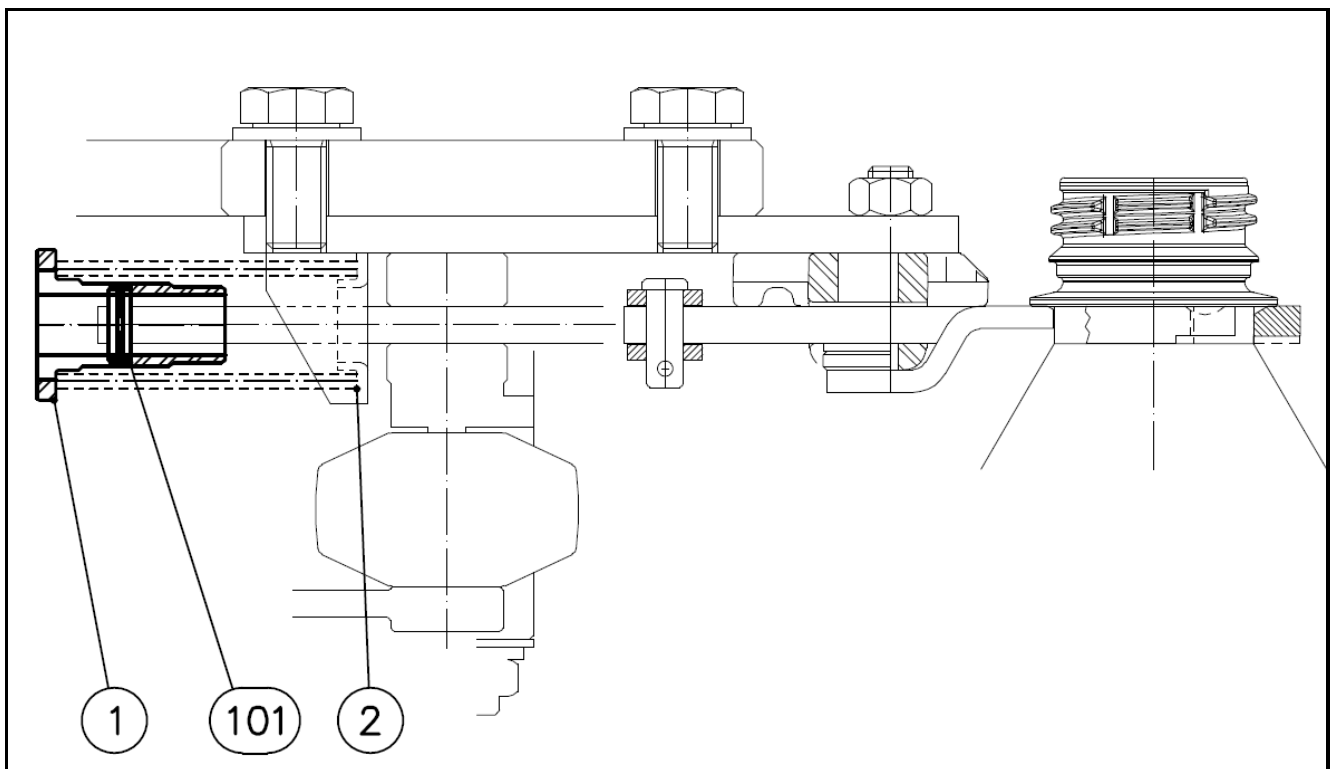
SPRING UPGRADE FOR GRIPPER
That should be installed on
the transfer star-wheels.
(Sterilizer, Rinser & Filler)

Dear Customer,

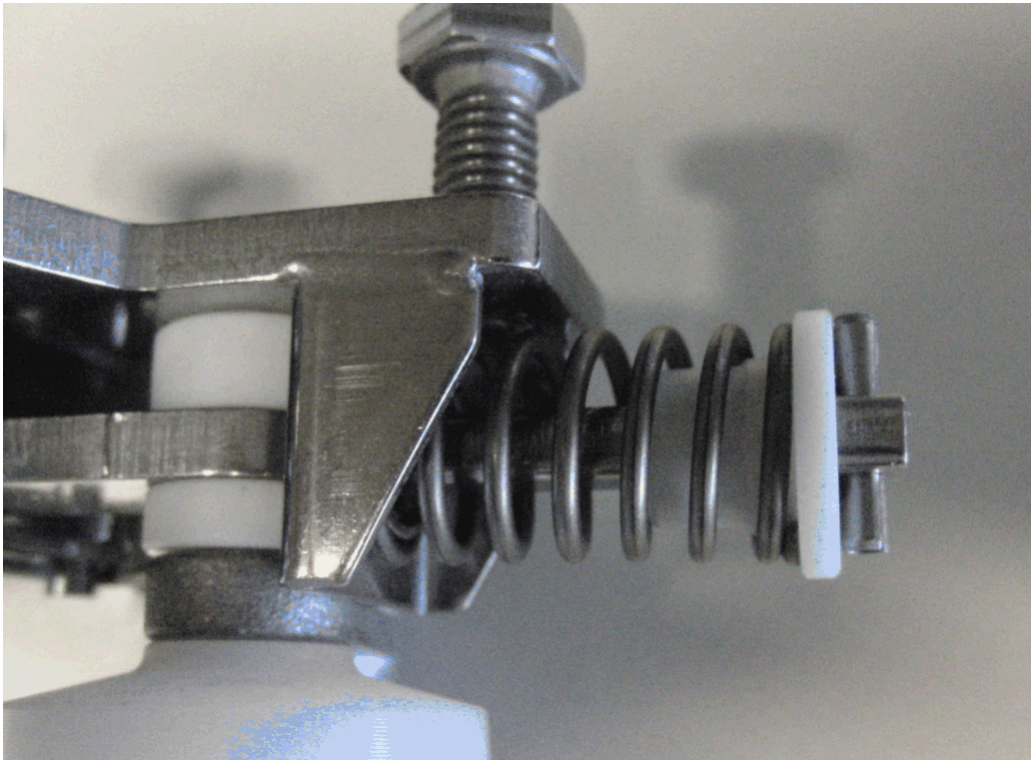
GEA Procomac would like to take this opportunity of informing that there is a possibility of replacing the springs installed on the gripper of Sterilizer/Rinser/Filler transfer star-wheel. The new version is more strong in terms of stress comply with the actual version. This means that the medium running life would be more longer than the actual one (we have foreseen minimum a double survive).

The upgrade foreseen the replacement of the following components / items (please have a look at the below drawing)

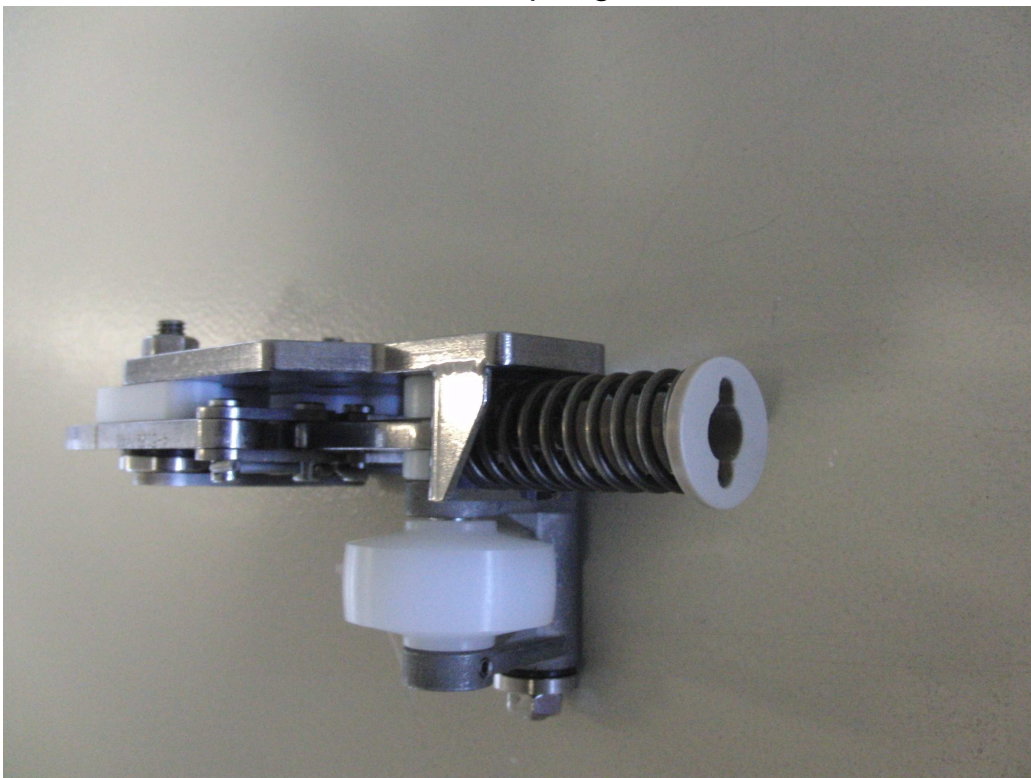
- Position 001) Peek centering device
- Position 002) Spring
- Position 101) Block spinal column



Actual spring



New spring





SUPPLY CONDITIONS

For all relevant supply conditions, we kindly ask you to contact our Upgrades Dept., who will be pleased to formulate the best technical / commercial proposal for the New springs upgrade.

GEA Procomac S.p.A.
Via Fedolfi 29
43038 Sala Baganza (PR) Italy
Tel + 39 0521 839411
Fax +39 0521 839572
ESP.procomac.it@geagroup.com
www.procomac.it